

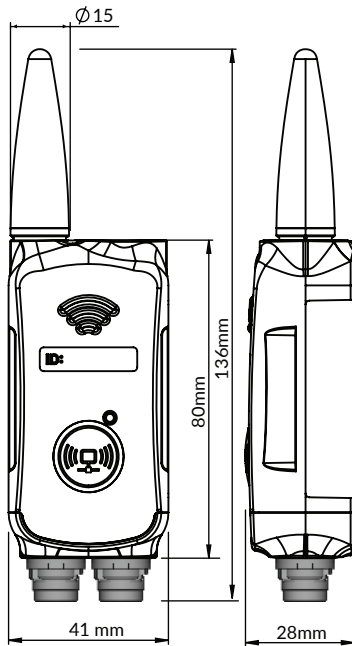
TME-P2-WS103

Dual Input Wireless Transmitter



For use with the D3 family of wireless base stations
 Compatible with a range of P3-DS Intelligent Digital Sensors (supplied separately)

Product Drawing:



Designed to work with tek troniks D3 868Mhz wireless base stations and is compatible with a full range of tek troniks intelligent sensors.

Secure communication protocols using licence free 868Mhz radio frequency.

Two sensor inputs on separate channels

Bi directional wireless communications with the base station allows for communication status reporting.

Can be used in environments where wash down is required.

The screw top battery compartment allows for users to easily replace the transmitter battery.

Technical Specifications:

| | | | |
|-------------------------------|---|------------------------------|---|
| Transmission Frequency: _____ | 1 minute | Status LED: _____ | Provides communication status |
| RF Frequency: _____ | 868 Mhz | Weight: _____ | 77g |
| | 14dbm - UK & Europe | IP Rating: _____ | IP67 |
| RF Range: _____ | 1 kilometre (line of sight, open field) | Connector: _____ | 2 x 3 pin female Hirose |
| | 200m typical in buildings | Operating Temperature: _____ | -20°C to 55°C |
| | Extenders available to boost range | Battery Life: _____ | >5 years in normal operation |
| | | Battery Type: _____ | 3.6V lithium |
| | | Mounting: _____ | Integral magnetic strip or optional mounting bracket |

